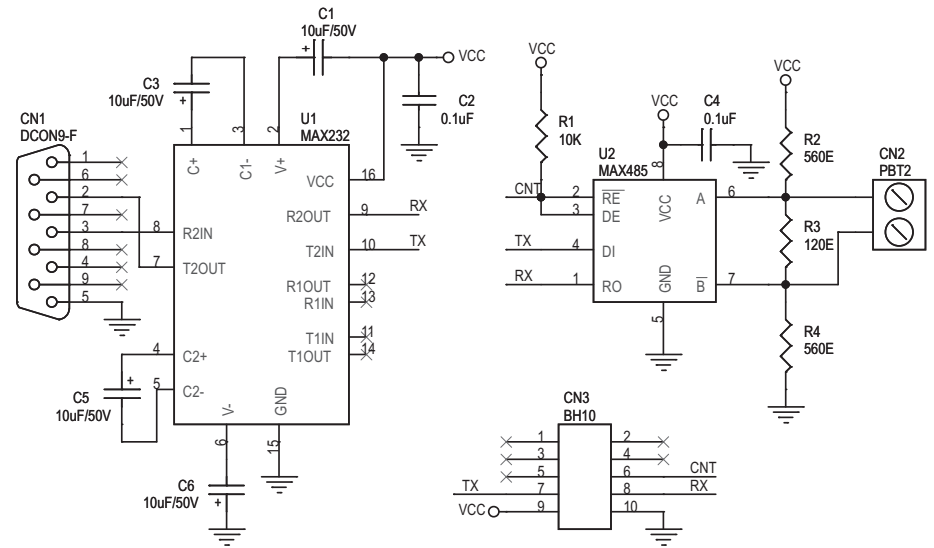


RS232 OR RS485 BOARD



SR.	QTY.	REF.	DESCRIPTION
1	1	CN1	9 PIN D CONNECTOR - FEMALE
2	1	CN2	2 PIN PBT CONNECTOR
3	1	CN3	10 PIN BOX HEADER CONNECTOR
4	4	C1,C3,C5,C6	10uF/50V OR 63V
5	2	C2,C4	0.1uF
6	1	R1	10K
7	2	R2,R4	560E
8	1	R3	120E
9	1	U1	MAX232
10	1	U2	MAX485
11	1	SOCKET	16 PIN DIP IC SOCKET
12	1	SOCKET	8 PIN DIP IC SOCKET

