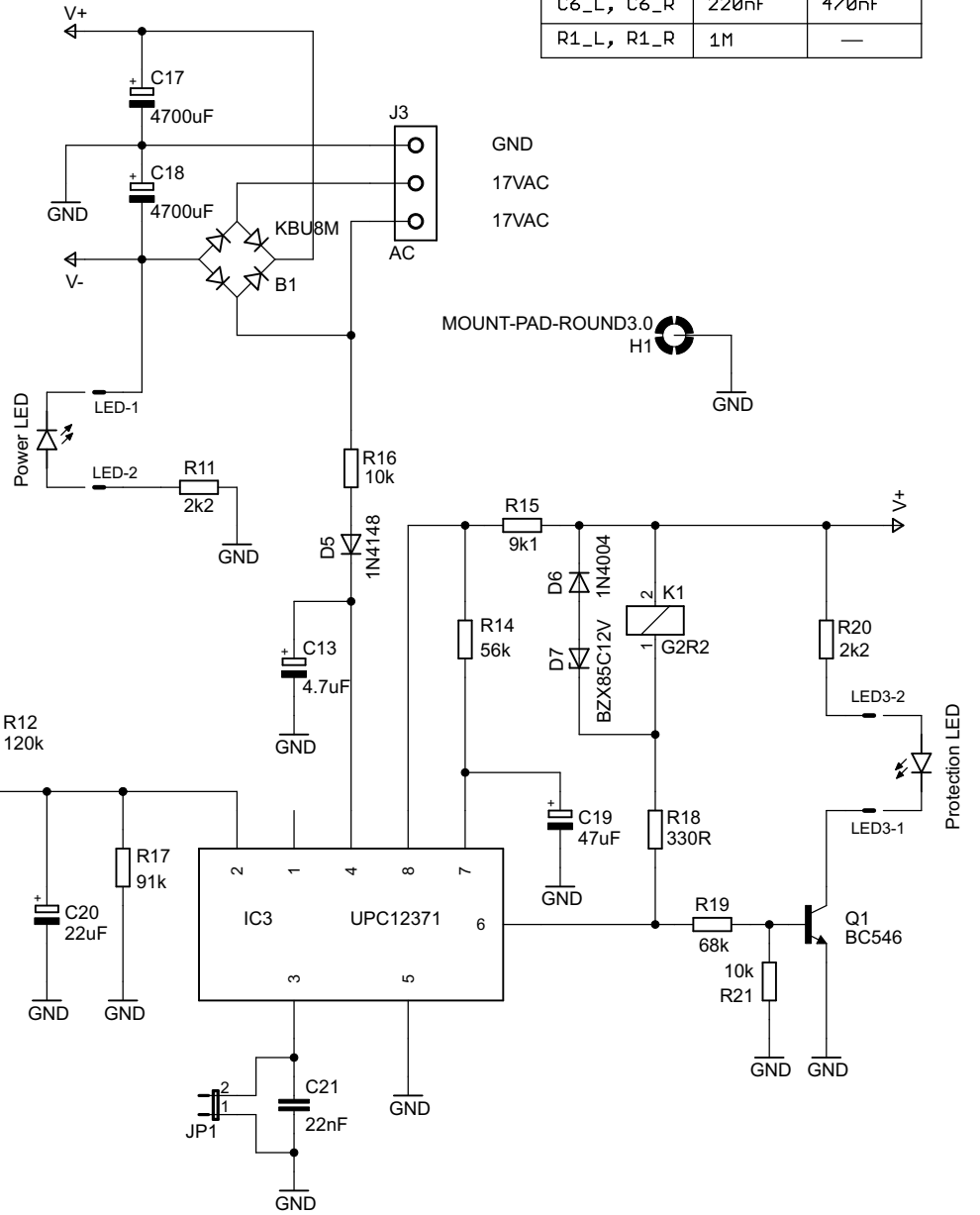
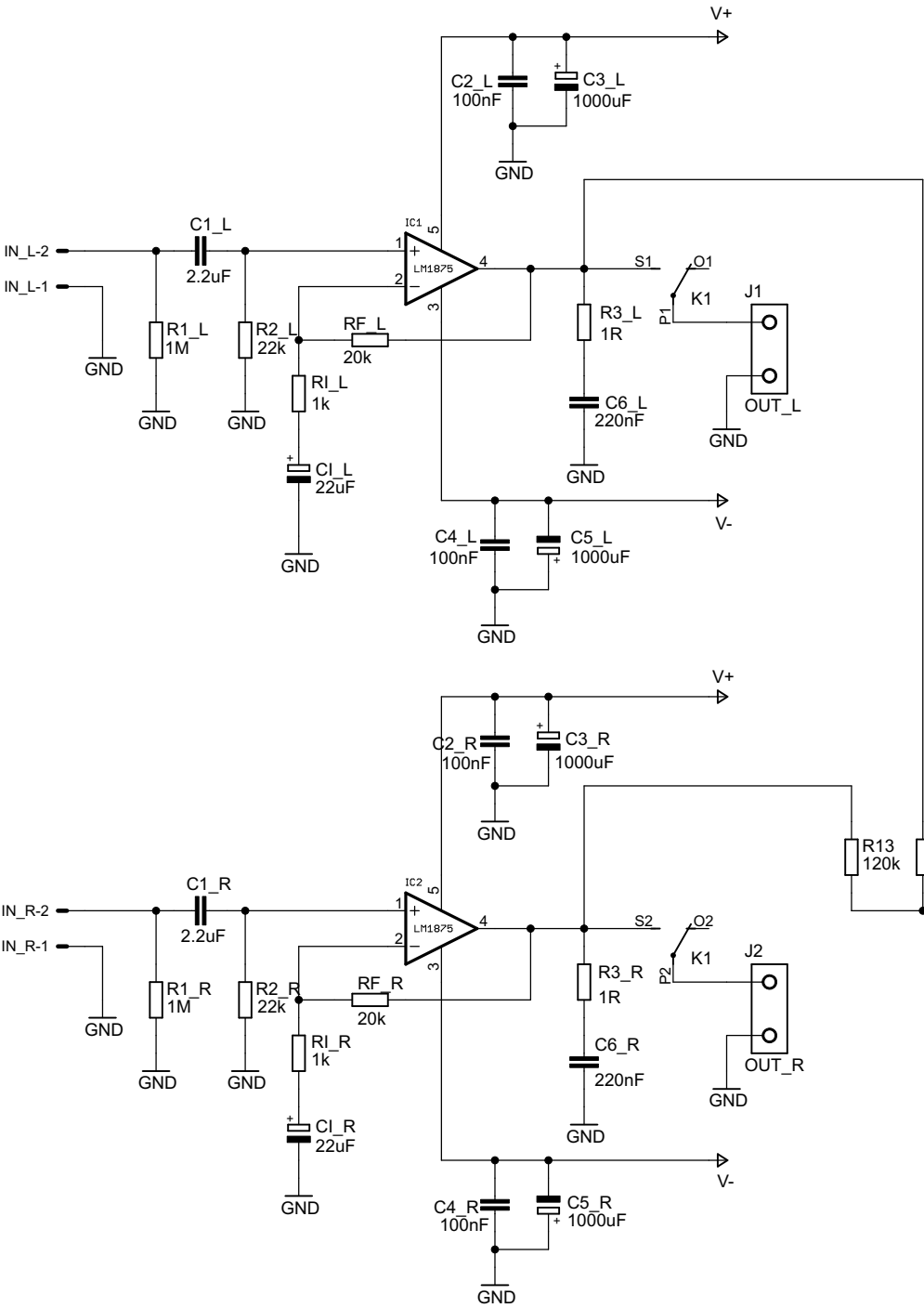


	LM1875	TDA2050
RF_L, RF_R	22k	22k
RI_L, RI_R	1k	680R
R3_L, R3_R	1R	2R2
C6_L, C6_R	220nF	470nF
R1_L, R1_R	1M	—



Protection LED